

# PARTS LIST

## MODELS F1114L AND F2114

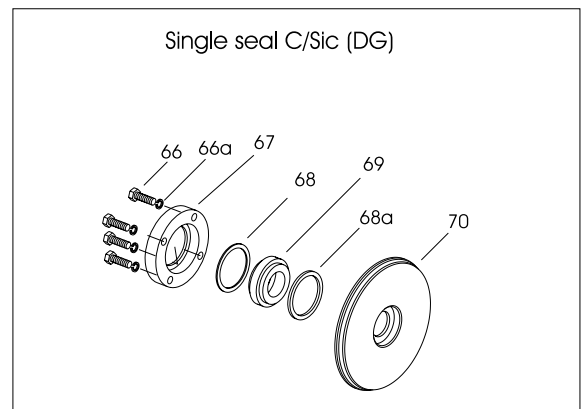
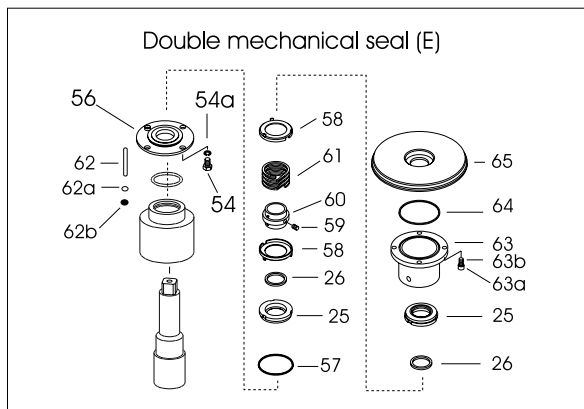
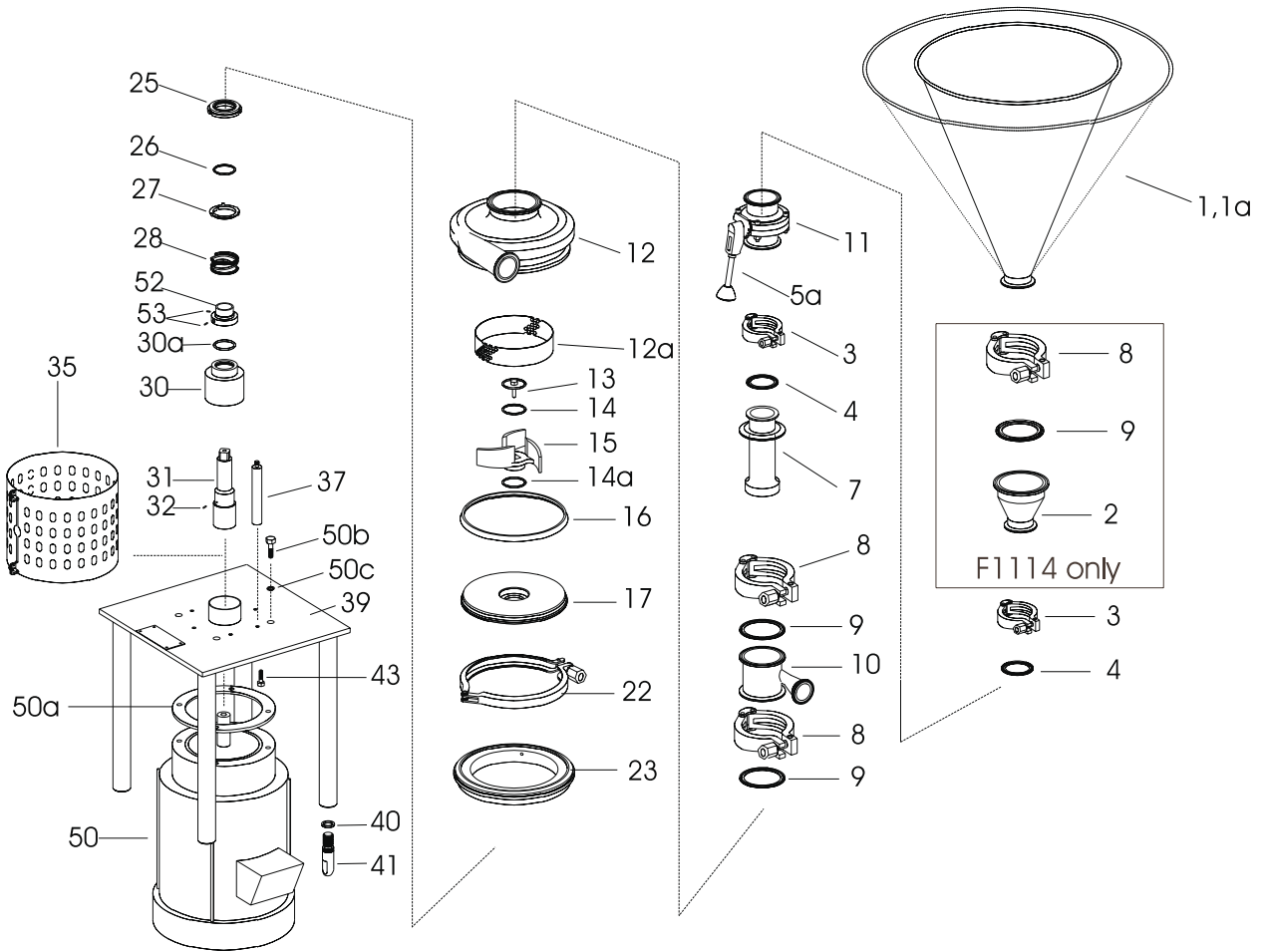
All orders for repair parts must contain the following data.

1. Complete model number (located on nameplate).
2. Tri-Blender serial number (located on nameplate).
3. Description and part key number from the parts list.

The exploded views and accompanying parts list facilitate ordering repair parts from the factory. All parts of the Tri-Blender are exploded and keyed to the parts list.

Key No.	Description	Part Number	Qty	Key No.	Description	Part Number	Qty
1	40° Hopper	F2116-55-40-01	1	31a	Stubshaft (F2114)	F2114E-06-316L	1
1a	60° Hopper	F2116-55-60-01	1	37	Spacer	F2114E-71-316L	6
2	Reducer (F1114)	31-14MP-2 X 1 ½-316	1	39	Baseplate	F2114-23-S	1
3	Clamp (F1114)	13MHHM 1 ½ - S	2	40	Leg O-ring	01-1154-13-34-U	4
3	Clamp (F2114)	13MHHM 1 ½ - S	1	41	Adjustable Leg	R-3-1-23-03-S	4
4	Gasket (Buna, F1114)	40MP-U-1 ½	2	43	Socket Head Capscrew	SC1108E-SS	6
4	Gasket (Buna, F2114)	40MP-U-1 ½	1	50	Motor	5 HP 2900 RPM	1
5a	Valve Handle	B51-1-48-S	1	50b	Capscrew	SC1710H-SS	4
7	Diffuser	F2114-05-316L	1	50c	Lockwasher	LWA1700-SS	4
8	Clamp (F1114)	13MHHM-2-S	3	52	Drive Collar	SP114D-23P-316L	1
8	Clamp (F2114)	13MHHM-2-S	4	53	Setscrews	SC1105A-SS	2
9	Gasket (F1114)	40MP-U-2	3	54	Socket Head Capscrew	SC1106E-SS	4
9	Gasket (F2114)	40MP-U-2	4	54a	Lockwasher	LWA1100-SS	4
10	Inlet Adapter	F2114-217-316L	1	56	Follower	114E-17A-316L	1
11	Butterfly Valve (F1114)	B51-1 ½-E-S	1	57	O-ring	17-106-U	1
11	Butterfly Valve (F2114)	B51-1-2-E-S	1	58	Cup (E seal)	114E-80-3P	2
12	Casing	F2114M-01-316L	1	59	Setscrews	SC903A-SS	2
12a	Screen	F2114-215-316L	1	60	Collar (E seal)	114E23-316L	1
13	Impeller Screw	F2114-26-316L	1	61	Spring (E seal)	114E-80-4A	1
14	O-ring (Buna)	17-361-U	1	63	Stuffing Box	114E-83C-316L	1
14a	O-ring (Buna)	01-1165-11-U	1	63a	Socket Head Capscrew	SC905E-SS	4
15	Impeller (F1114)	F1114L-02-316L	1	63b	Lockwasher	LWA900-SS	4
15a	Impeller (F2114)	F2114-02-316L	1	64	O-ring	17-275-U	1
16	Casing Gasket (Buna)	S114-90A-U	1	64a	O-ring	17-106-U	1
17	Backplate (F1114)	F1114LD-11-316	1	65	Backplate (E seal, F1114)	F1114LE-11-316L	1
17a	Backplate (F2114)	114D-11-316L	1	65a	Backplate (Eseal, F2114)	114E-11-316L	1
22	Casing Clamp	S114-75ARN-S	1	66	Capscrew	SC1110H-SS	4
23	Adapter Ring	F2114E-71-1-316L	1	66a	Lockwasher	LWA1100-SS	4
25	Carbon Seal	114E-80-1A	1	67	Gland Ring	SP114G-17-316L	1
26	Seal O-ring (Buna)	17-17-U	1	68	PTFE Gasket Inboard	SP114G-80-1-2-G	2
27	Cup	114D-80-3P	1	69	Seal Seat (Ceramic)	SP114G-80-1-1-CER	1
28	Spring	114D-80-4	1	69a	Seal Seat (SC)	SP114G-80-1-1-SC	1
30	Deflector	F2116E-40-S	1	69b	Seal Seat (Tungsten)	SP114G-80-1-1-TC	1
30a	Deflector O-ring (Buna)	S328-80-2-U	1	70	Backplate (DG, F1114)	F114LG-11-316L	1
31	Stubshaft (F1114)	F1114LE-06-316L	1	70a	Backplate (DG, F2114)	SP114G-11-136L	1

# PARTS LIST



# PARTS LIST

## MODEL F2116 AND F2116 EZ-SYSTEM

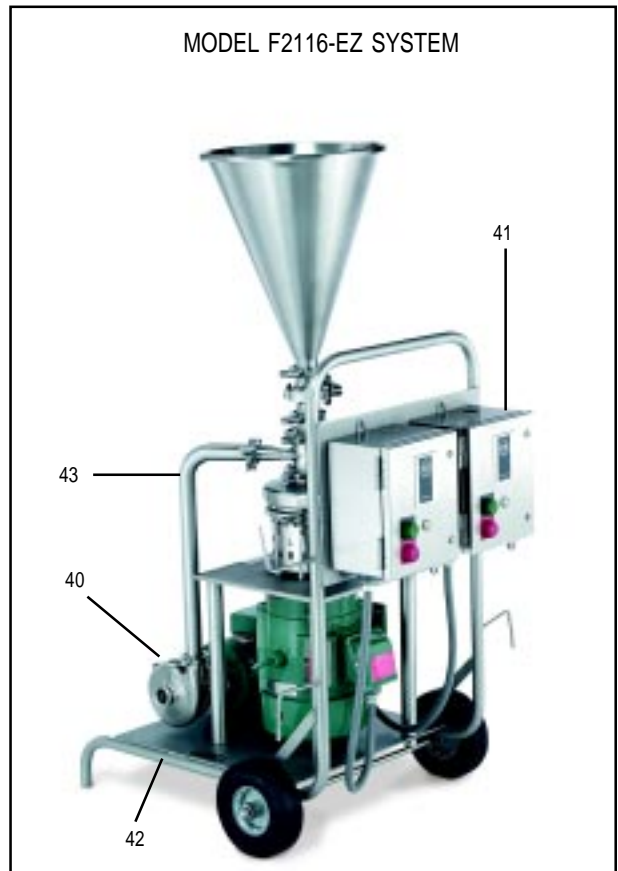
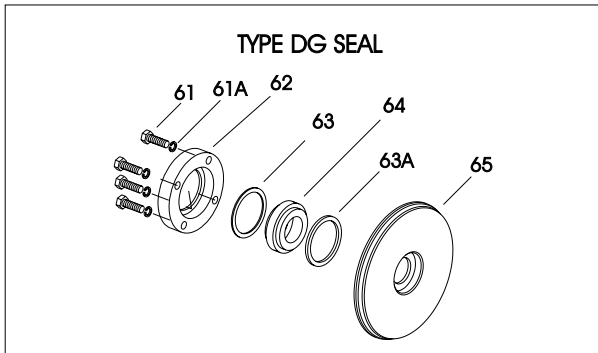
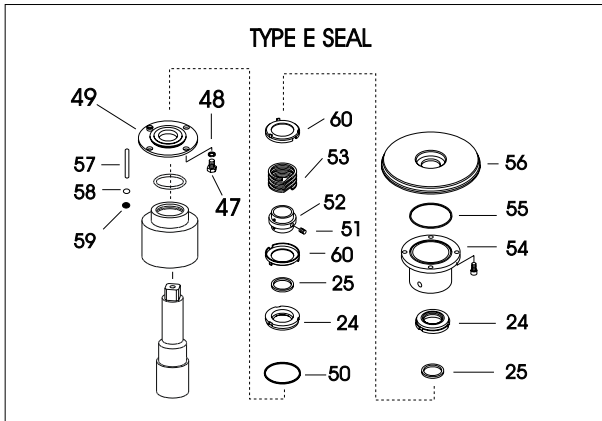
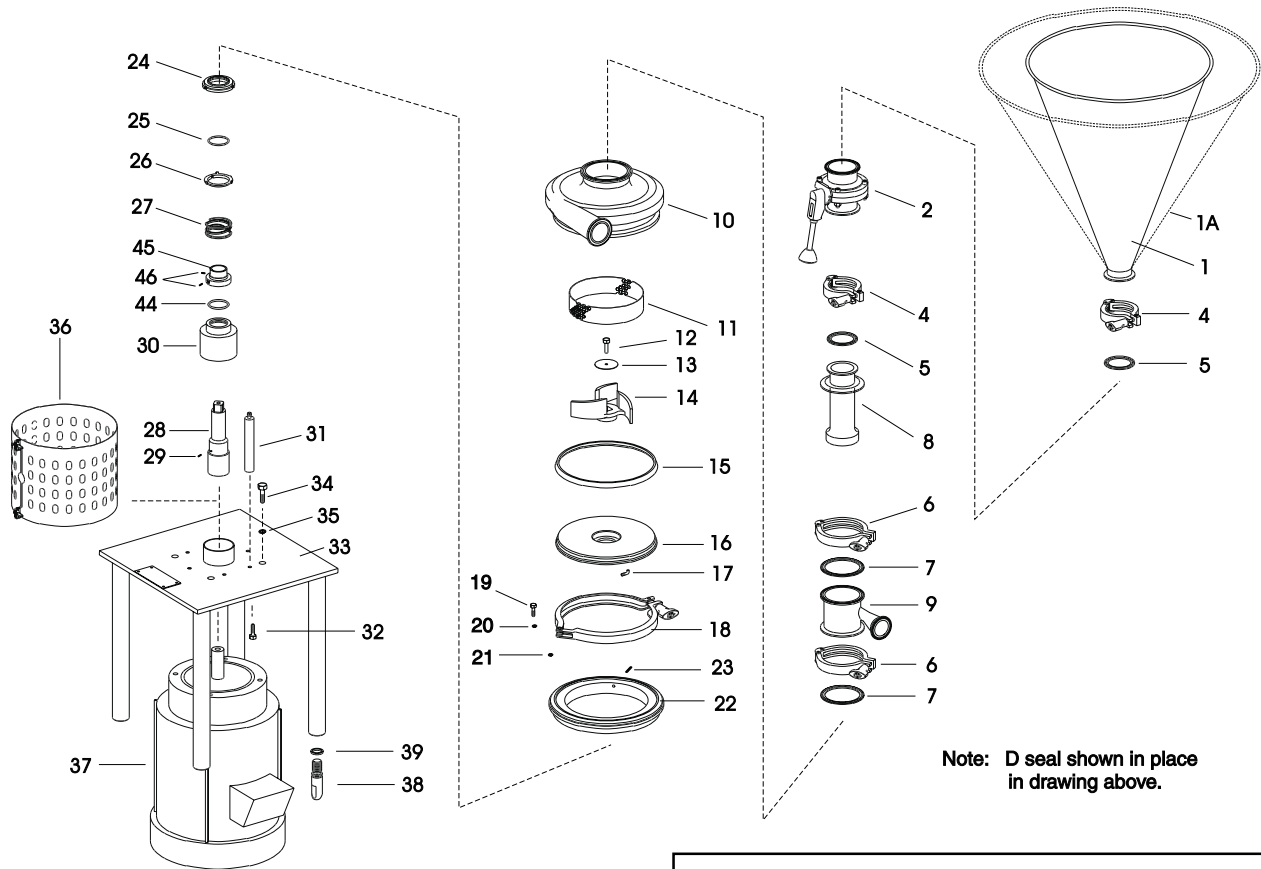
All orders for repair parts must contain the following data.

1. Complete model number (located on nameplate).
2. Tri-Blender serial number (located on nameplate).
3. Description and part key number from the parts list.

The exploded views and accompanying parts list facilitate ordering repair parts from the factory. All parts of the Tri-Blender are exploded and keyed to the parts list.

Key No.	Description	Part Number	Qty	Key No.	Description	Part Number	Qty
1	40° hopper	F2116-55-40-01	1	35	Lockwasher	LWA1700-SS	4
1A	60° hopper	F2116-55-60-01	1	36	Seal guard	CS216-18T-131-A-S	1
2	Manual Butterfly Valve	B51-2-E-S	1	38	Adjustable Leg	R-3-1-23-03-S	1
4	Clamp	13MHM-2-S	2	39	O-ring - Leg Buna N	01-1154-13-34-U	4
5	Gasket	40MP-U-2	2	40	Supply Pump	C114MD56T-S	4
6	Clamp	13MHM-3-S	2	42	Dolly Assembly	F2116-SYS-02	1
7	Gasket	40MP-U-3	2	43	Tube Assembly	F2116-SYS-03	2
8	Difuser & Suction Tub	F2116-05-316	1	44	Seal O-ring - Buna	S328-80-2-U	1
9	Inlet Adapter	F2116-217-316	1	45	Drive Collar - D Seal	SP216D-23P-S	1
10	Casing	F2116M-01-316L	1	46	Setscrew-Drive Collar D Seal	SC1105A-SS	2
11	Screen	F2116-215A-1-316L	1	47	Screw - Follower	SC1306H-SS	4
12	Capscrew	SC1108H-SS	1	48	Lockwasher - Follower	LWA1300-SS	4
13	Washer	F2116-54A-316	1	49	Follower	F2116E-17-316	1
14	Impeller	F2116-02A-316	1	50	Follower O-ring - Buna N	17-275-U	1
15	Gasket	S216-90A-U	1	51	Setscrew - Drive Collar E Seal	SC1103A-SS	2
16	Backplate-D seal	CS216D11-316	1	52	Drive Collar - E Seal	2116E-23-316	1
17	Backplate Pin	216D-11-1-S	1	53	Spring - E Seal	216E-80-4A	1
18	Clamp	S216-75AR-S	1	54	Stuffing Box - E Seal	216E-83B-316	1
19	Capscrew	SC1110H-SS	1	55	Stuffing Box O-ring	17-122-U	1
20	Spacer	114D-75A-7-03	1	56	Backplate-E Seal	216E-11B-316	1
21	Nut, Acorn	MS-18-112-N	1	57	Stud - E Seal	F2116E-82-S	4
22	Adapter	CS216-71-1-S	1	58	Lockwasher - E Seal	LWA1100-SS	4
23	Adapter pin	216D-71A-1-S	1	59	Nut - E Seal	NU1100H-SS	4
24	Carbon Seal	216E-80-1A	1	60	Cup - E Seal	216E-80-3P	2
25	Seal O-ring - Buna N	01-1165-19-U	1	61	Screw-Gland Ring-DG Seal	SC1310H-SS	4
26	Cup - D Seal	216D-80-3P	1	61a	Lockwashers - DG seal	LWA1300-SS	4
27	Spring - D Seal	216D-80-4	1	62	Gland Ring-DG Seal	SP216G-17-316	1
28	Stubshaft	F2116E-EXP-06-316	1	63	PTFE Gasket Outboard	SP216G-80-1-2-G	1
29	Setscrew-Shaft	SC1104GG-SS	2	63a	PTFE Gasket Inboard	SP216G-80-1-2A-G	1
30	Deflector	F2116E-40-S	1	64	Seal Seat - DG Seal	SP216G-80-1-1-CER	1
31	Spacer	F2116E-71-S	6	64	Seal Seat - DG Seal	SP216G-80-1-1-SC	1
32	Capscrew	SC1108E-SS	6	64	Seal Seat - DG Seal	SP216G-80-1-1-TC	1
33	Base	F2116-EXP-23A-S	1	65	Backplate - DG Seal	SP216G-11-316	1
34	Capscrew	SC1710H-SS	4				

# PARTS LIST



# PARTS LIST

## MODEL F3218

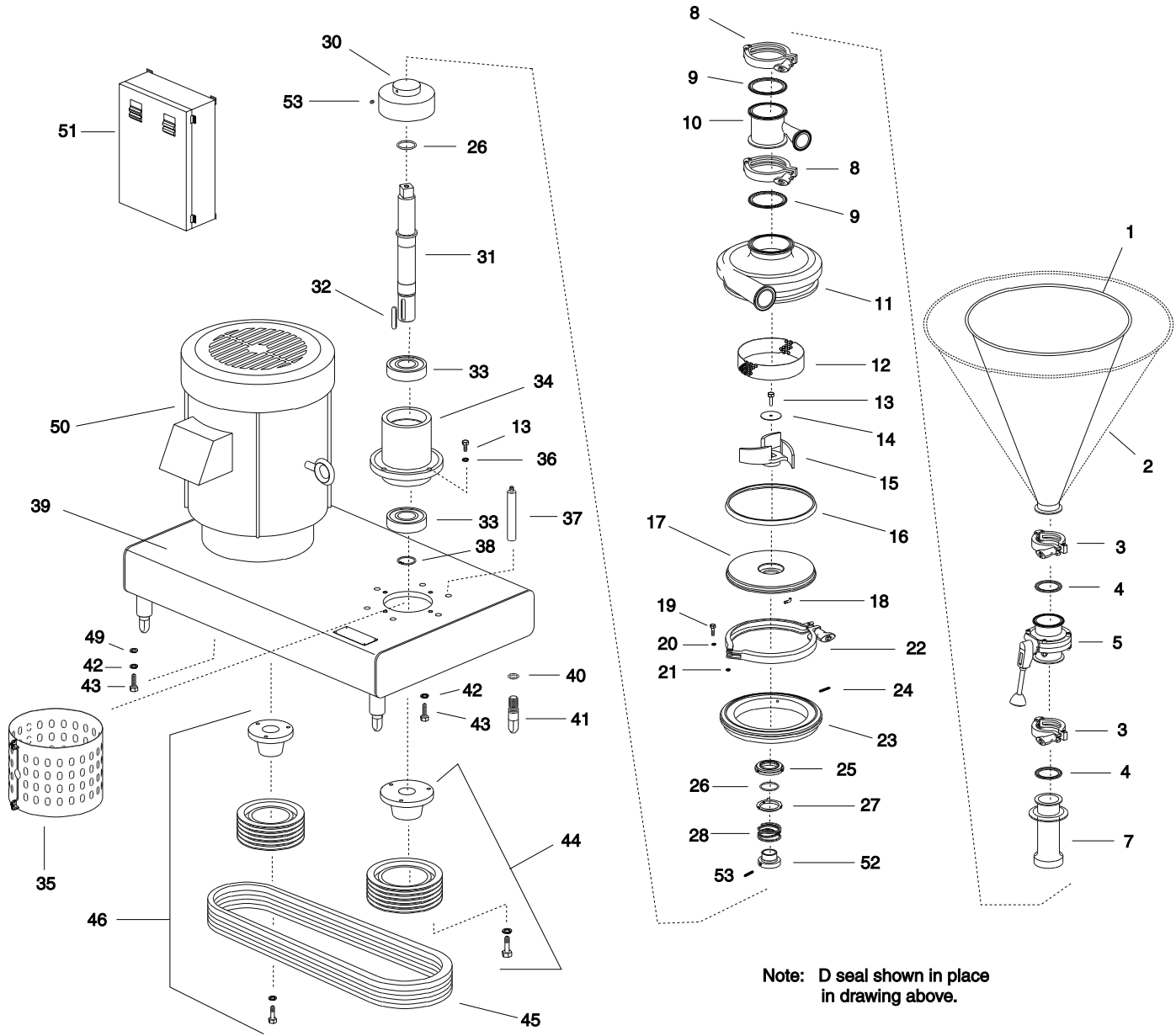
All orders for repair parts must contain the following data.

1. Complete model number (located on nameplate).
2. Tri-Blender serial number (located on nameplate).
3. Description and part key number from the parts list.

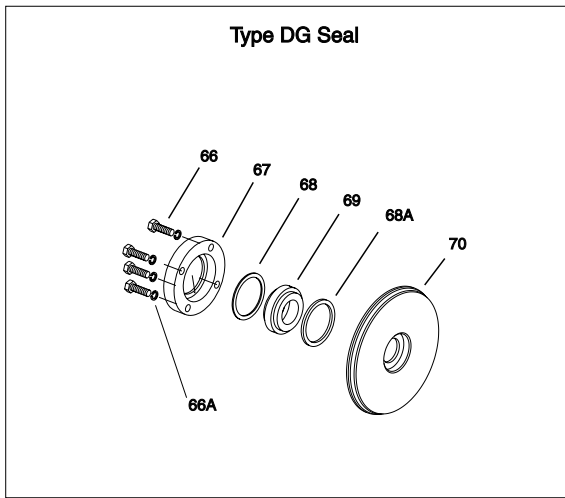
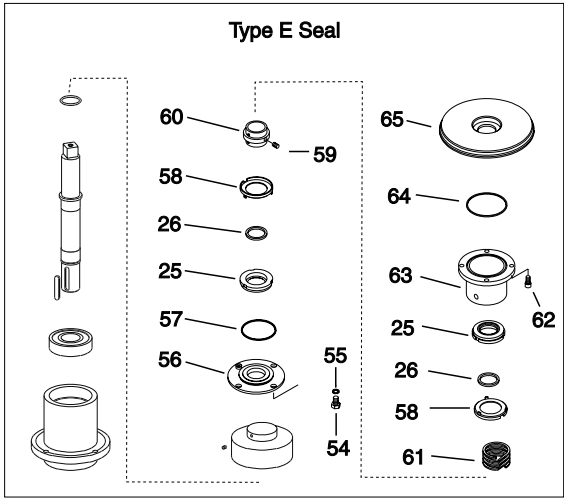
The exploded views and accompanying parts list facilitate ordering repair parts from the factory. All parts of the Tri-Blender are exploded and keyed to the parts list.

Key No.	Description	Part Number	Qt	Key No.	Description	Part Number	Qty
1	40 ° hopper	D3218-55-40-01	1	39	Base	D3218-23B	1
2	60 ° hopper	D3218-55-60-01	1	40	O-ring-Leg - Buna N	01-1154-13-34-U	4
3	Clamp	13MHM-3-S	2	41	Leg	R3-1-23-03-S	4
4	Gasket	40MP-U-3	2	42	Lockwasher-Spacer	LWA1700-SS	10
5	Manual Butterfly Valve	B51-3-E-S	1	43	Capscrew-Spacer	SC1710H-SS	10
7	Diffuser and Suction Tube	F3218-05-316	1	44	60 Cycle Blender Pulley	D3218-106-3-3V4.5X1.	1
8	Clamp	13MHM-4-S	2	44	50 Cycle Blender Pulley	D3218-106-3-3V4.12X1	3
9	Gasket	40MP-U-4	2	45	Drive Belt	D3218-3V-530	1
10	Inlet Adapter	F3218-217-316	1	46	60 Cycle Motor Pulley	D3218-108-3-3V6.0X1.	2
11	Casing	F3218M-01-316L	1	46	50 Cycle Motor Pulley	D3218-108-3-3V6.5X1.	2
12	Screen	D3218-215A-1-316	1	47	Capscrew	SC1106H-SS	4
13	Capscrew	SC1510H-SS	1	48	Lockwasher	WA1100-SS	1
14	Washer	F3218-54-316	1	49	Washer	WA1700-SS	1
15	Impeller	F3218-02A-316	1	52	Drive Collar-D Seal	SP328D-23P-S	1
16	Gasket - Buna	S328-90A-U	1	53	Setscrew-D Seal Drive Collar	SC1105A-SS	4
17	Backplate-D seal	CS328D-11-316	1	54	Screw-Follower	SC1308H-SS	4
18	Backplate Pin	216D-11-1-S	2	55	Lockwasher-Follower	LWA1300-SS	4
19	Capscrew	SC1110H-SS	1	56	Follower	328E-17-316	1
20	Spacer	114D-75A-7-03-S	1	57	Follower O-ring	17-274-U	1
21	Nut, Acorn	MS-18-112-S	1	58	Carbon Seal-E Seal	328E-80-1A	2
22	Clamp	S328-75AR-S	1	59	Setscrew-E Seal Drive Collar	SC1103A-SS	2
23	Adapter Ring	CS328-71-1-S	1	60	Drive Collar-E Seal	328E-23-316	1
24	Pin, Adapter Ring	216D-71A-1-S	2	61	Spring-E Seal	328E-80-4A	1
25	Carbon Seal	328E-80-1A-Mat'l	1	62	Screw-Stuffing Box	SC1307E-SS	4
26	Seal O-ring	S328-80-2-U	2	63	Stuffing Box	F3218E-83B-316	1
27	Cup-D Seal	328D-80-3P	1	64	Stuffing Box O-ring	17-153-U	1
28	Spring-D Seal	328D-80-4	1	65	Backplate-E Seal	328E-11B-316	1
30	Collar/Deflector	F3218-40E-S	1	66	Screw-Gland Ring	SC1310H-SS	4
31	Shaft	F3218-06-316	1	67	Gland Ring	SP328G-17-316L	4
32	Key, Pulley	D3218-46	1	68	PTFE Gasket, Outboard	SP328G-80-1-2-G	1
33	Bearing-Sealed	D3218-18	2	68A	PTFE Gasket, Inboard	SP328G-80-1-2A-G	2
34	Bearing Housing	F3218-99-S	1	69	Seal Seat	SP328G-80-1-1-CER	2
35	Seal Guard Assembly	F3218D-131-S	1	69	Seal Seat	SP328G-80-1-1-SC	1
36	Lockwasher	LWA1500-SS	4	69	Seal Seat	SP328G-80-1-1-TC	1
37	Spacer	D3218-71A-S	6	70	Backplate-DG	SP328G-11-316L	1
38	Retainer Ring	D3218-177	1				

# PARTS LIST



Note: D seal shown in place in drawing above.



# PARTS LIST

## MODEL F4329

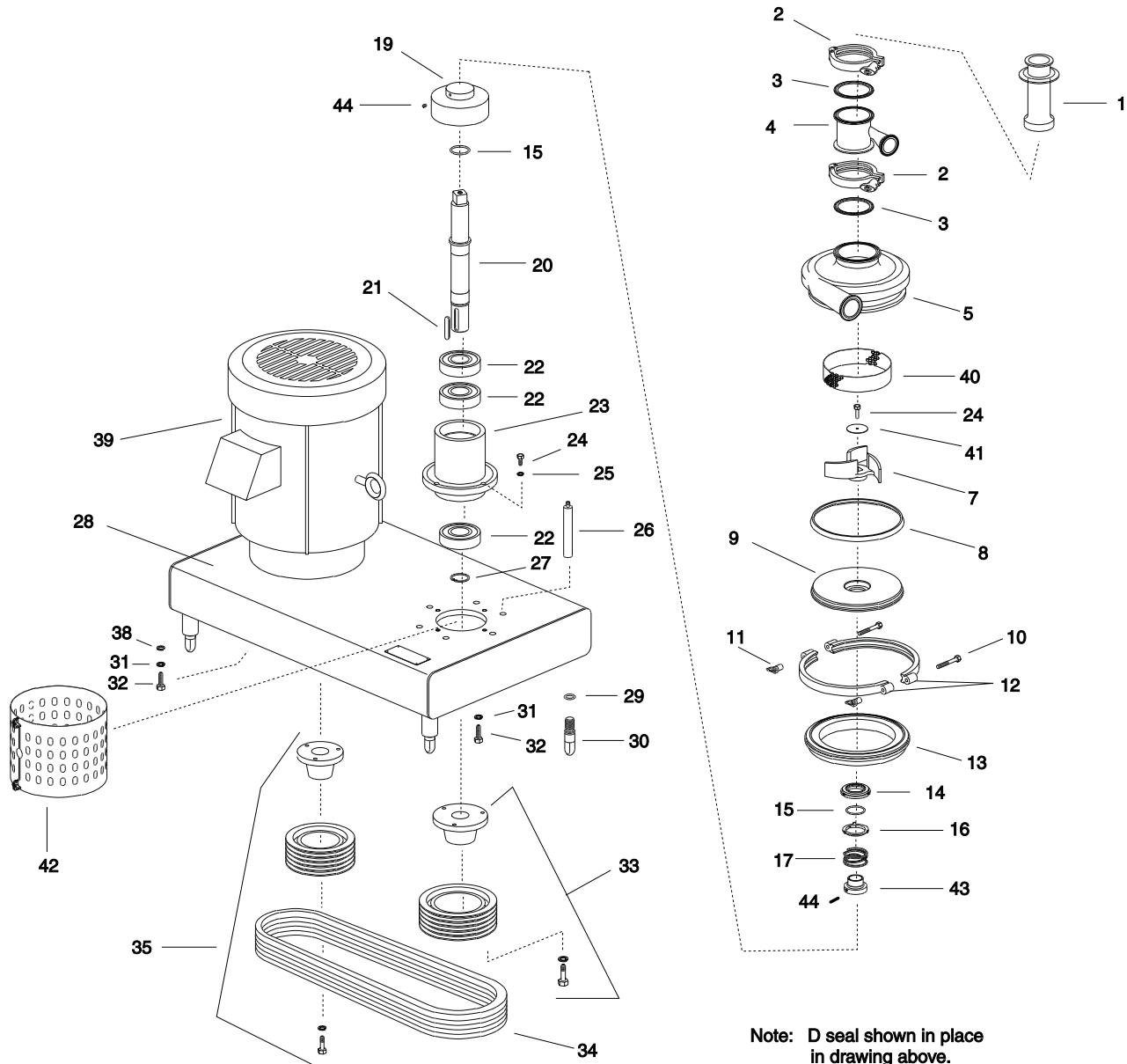
All orders for repair parts must contain the following data.

1. Complete model number (located on nameplate).
2. Tri-Blender serial number (located on nameplate).
3. Description and part key number from the parts list.

The exploded views and accompanying parts list facilitate ordering repair parts from the factory. All parts of the Tri-Blender are exploded and keyed to the parts list.

Ke No.	Description	Part Number	Qt	Ke No.	Description	Part Number	Qty
1	Diffuser and Suction Tube	F4329-05-316	1	34	Drive Belt	D3218-110-3V-530	4
2	Clamp	13MHHM-5-S	2	35	60 Cycle Motor Pulley	F4329-108-4-3V6.0-1.	1
3	Gasket	40MO-U-5	2	35	50 Cycle Motor Pulley	F4329-108-4-3V6.5-1.	1
4	Inlet Adapter	F4329-217-316	1	36	Capscrew	SC1106H-SS	2
5	Casing	F4329M-01A-316L	1	37	Lockwasher	WA1100-SS	2
7	Impeller	F4329-02B-316	1	38	Washer	WA1700-SS	4
8	Gasket	SP5410-90A-U	1	40	Screen	F4329-215A-1-316L	1
9	Backplate-D Seal	SP5410D-11A-316	1	41	Impeller Washer	F4329-54A-316	1
10	Capscrew	SC1324H-SS	2	42	Seal Guard	F3218D-131-S	1
11	Wing Nut	A13MHH-1½-03F-M	2	43	Drive Collar-D Seal	SP328D-23P-S	1
12	Clamp	SP4410-75D-S	1	44	Setscrew-D Seal Drive Collar	SC1105A-SS	1
13	Adapter ring	F4418-71-1-S	1	45	Screw-E Seal Follower	SC1308H-SS	4
14	Carbon Seal	328E-80-1A	1	46	Lockwasher-E Seal Follower	LWA1300-SS	4
15	Seal O-ring	S328-80-2-U	2	47	Follower	328E-17-316	4
16	Cup- D Seal	328-80D-3P	1	48	Follower O-ring	17-274-U	1
17	Spring-D Seal	328D-80-4	1	49	Drive Collar-E Seal	328E-23-316	1
19	Collar/Deflector	D3218-40A-S	1	50	Spring	328E-80-4A	1
20	Drive Shaft	F4329E-06C-316	1	51	Stuffing Box-E Seal	F3218E-83B-316	1
21	Key Pulley	D3218-46	1	52	Stuffing Box O-ring	17-153-U	1
22	Sealed Bearing	D3218-18	3	53	Backplate-E Seal	SP5410E-11C-316	1
23	Bearing Housing	F3218-99-S	1	54	Screw Stuffing Box	SC1307E-SS	1
24	Capscrew - Housing	SC1510H-SS	5	55	Setscrew-E Seal Drive Collar	SC1103A-SS	4
25	Lockwasher - Housing	LWA1500-SS	4	56	Cup-E Seal	328E-80-3P	2
26	Spacer	D3218E-71A-S	6	57	Screw-DG Gland Ring	SC1310H-SS	2
27	Retaining ring	D3218-177	1	57a	Washer - DG Gland Ring	LWA-1300-SS	4
28	Base	F4329-23A-S	1	58	Gland Ring	SP328G-17-316L	1
29	O-ring-Leg	01-1154-13-34-U	4	59	PTFE Gasket - Outboard	SP328G-80-1-2-G	1
30	Adjustable Leg	R3-1-23-03-S	4	59a	PTFE Gasket - Inboard	SP328G-80-1-2A-G	1
31	Lockwasher-Spacer	LWA1700-SS	10	60	Seal Seat	SP328G-80-1-1-CER	1
32	Capscrew-Spacer	SC1710H-SS	10	60	Seal Seat	SP328G-80-1-1-SC	1
33	60 Cylce Blender Pulley	F4329-106-4-3V4.5x	1	60	Seal Seat	SP328G-80-1-1-TC	1
33	50 Cycle Blender Pulley	F4329-106-4-3V4.12	1	61	Backplate-DG Seal	SP4410G-11-316L	1

# PARTS LIST



**Note:** D seal shown in place in drawing above.

