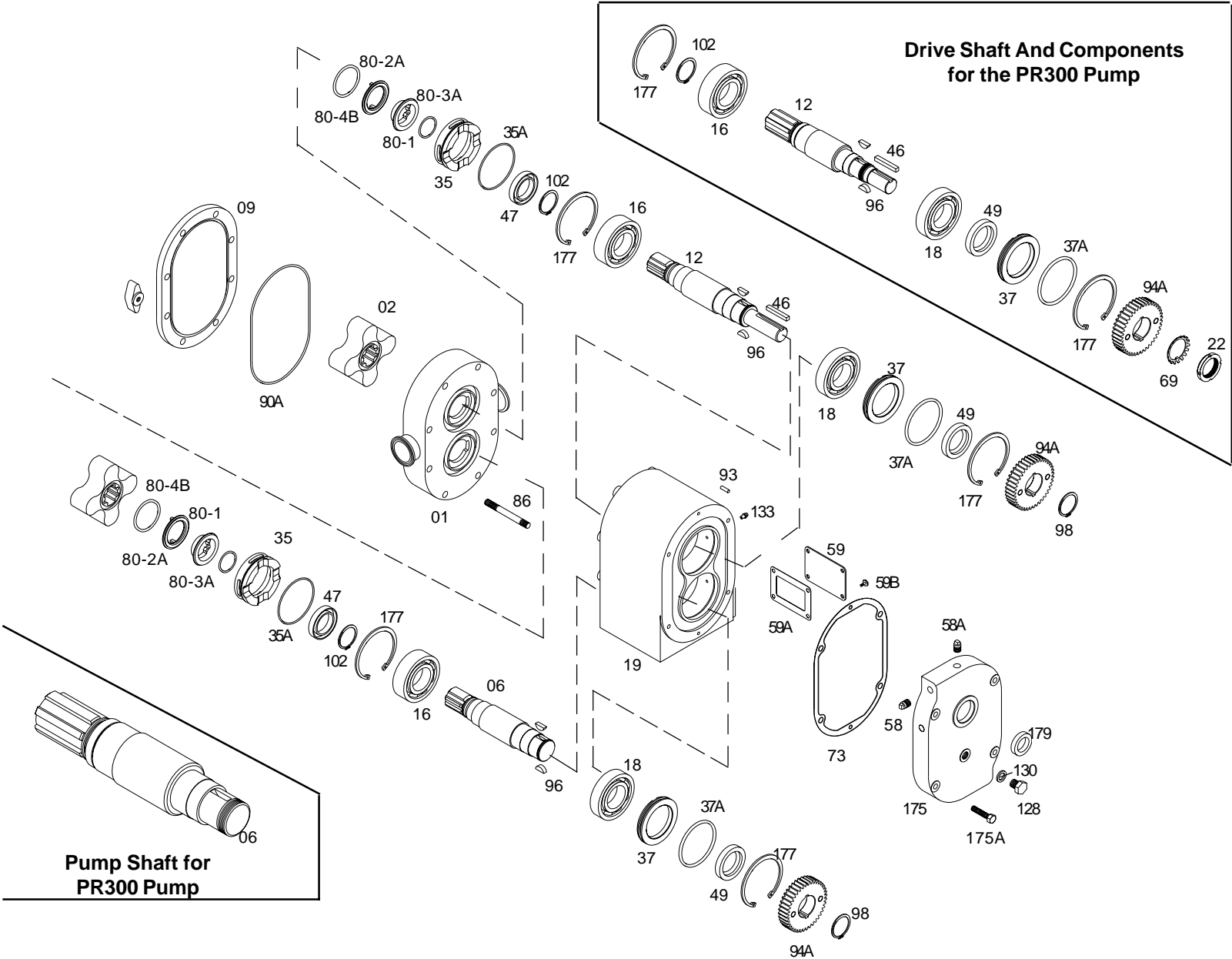


Parts List

PR Pump



Parts List

PR Pump

Key	Description	Model 3	Model 10	Model 25	Model 60	Model 125	Model 300
01	Casing, Threaded Ports 1" x 1"	R3-1-01-316	Not available	Not available	Not available	Not available	Not available
01	Casing, Tri-Clamp® Ports 1" x 1"	R3M-1-01-316	Not available	Not available	Not available	Not available	Not available
01	Casing, Threaded Ports 1½" x 1½"	Not available	R10-1½-01B-316	R25-1½-01B-316	Not available	Not available	Not available
01	Casing, Tri-Clamp Ports 1½" x 1½"	Not available	R10M-1½-01B-316	R25M-1½-01B-316	Not available	Not available	Not available
01	Casing, Threaded Ports 2" x 2"	Not available	Not available	Not available	R60-2-01B-316	Not available	Not available
01	Casing, Tri-Clamp Ports 2" x 2"	Not available	Not available	Not available	R60M-2-01B-316	Not available	Not available
01	Casing, Threaded Ports 2½" x 2½"	Not available	Not available	Not available	Not available	R125-2½-01B-316	Not available
01	Casing, Tri-Clamp Ports 2½" x 2½"	Not available	Not available	Not available	Not available	R125M-2½-01B-316	Not available
01	Casing, Threaded Ports 3" x 3"	Not available	Not available	R25-3-01B-316	R60-3-01BF-316	R125-3-01B-316	Not available
01	Casing, Tri-Clamp Ports 3" x 3"	Not available	Not available	R25M-3-01B-316	R60M-301BF-316	R125M-3-01B-316	Not available
01	Casing, Threaded Ports 4" x 4"	Not available	Not available	Not available	Not available	Not available	R300-4-01B-316
01	Casing, Tri-Clamp Ports 4" x 4"	Not available	Not available	Not available	Not available	Not available	R300M-4-01B-316
01	Casing, Threaded Ports 6" x 6"	Not available	Not available	Not available	Not available	Not available	R300-6-B01B-316
01	Casing, Tri-Clamp Ports 6" x 6"	Not available	Not available	Not available	Not available	Not available	R300M-6-B01B-316
02	Impeller 6 lobe Rubber (Buna N - Cold)	See Ordering Impellers	Not available	Not available	Not available	Not available	Not available
02	Impeller 6 lobe Rubber (Buna N - Hot)	See Ordering Impellers	Not available	Not available	Not available	Not available	Not available
02	Impeller 2 or 4 lobe Rubber (Buna N)	Not available	See Ordering Impellers	See Ordering Impellers	See Ordering Impellers	See Ordering Impellers	See Ordering Impellers
02	Impeller 2 or 4 lobe Tri-Clover Metal	Not available	See Ordering Impellers	See Ordering Impellers	See Ordering Impellers	See Ordering Impellers	See Ordering Impellers
06	Pump Shaft	R3-1-06-316	R10-1½-06-316	R25-1½-06-316	R60-2-06-316	R125-2½-06-316	R300E-4-06-316
08	Impeller Carbon	Not available	R10-1½-08	R25-1½-08	R60-2-08	R60-2-08	R300-4-08
09	Front Cover	R3-1-09-316	R10-1½-09-316	R25-1½-09-316	R60-2-09-316	R60-2-09-316	R300-4-09-316
12	Drive Shaft	R3-1-12-316	R10-1½-12-316	R25-1½-12-316	R60-2-12-316	R125-2½-12-316	R300-4-12-316
16	Bearing - Inboard	R3-1-16	R10-1½-16	R25-1½-16	R60-2-18	R125-2½-16	R300-4-16
18	Bearing - Outboard	R3-1-16	R10-1½-16	R25-1½-16	R60-2-18	R60-2-18	R300-4-18
19	Frame	R3-1-19-C	R10-1½-19-C	R25-1½-19-C	R60-2-19-C	R60-2-19-C	R300-4-19-C
22	Locknut	Not available	Not available	Not available	Not available	Not available	R300-4-22
35	Alignment, Locating Ring	R3-1-A35-316L	R10-1½-A35-316L	R25-1½-A35-316L	R60-2-A35-316L	R125-2½-A35-316L	R300-4-A35-316L
35A	Alignment Locating Ring O-Ring	R3-1-37A-U	R10-1½-35A-U	R25-1½-35A-U	R60-2-37A	R60-2-37A	R300-4-37A-U
37	Bearing Cover Outboard	R3-1-37-CS	R10-1½-37-CS	R25-1½-37-CS	R60-2-37-CS	R60-2-37-CS	R300-4-37-CS

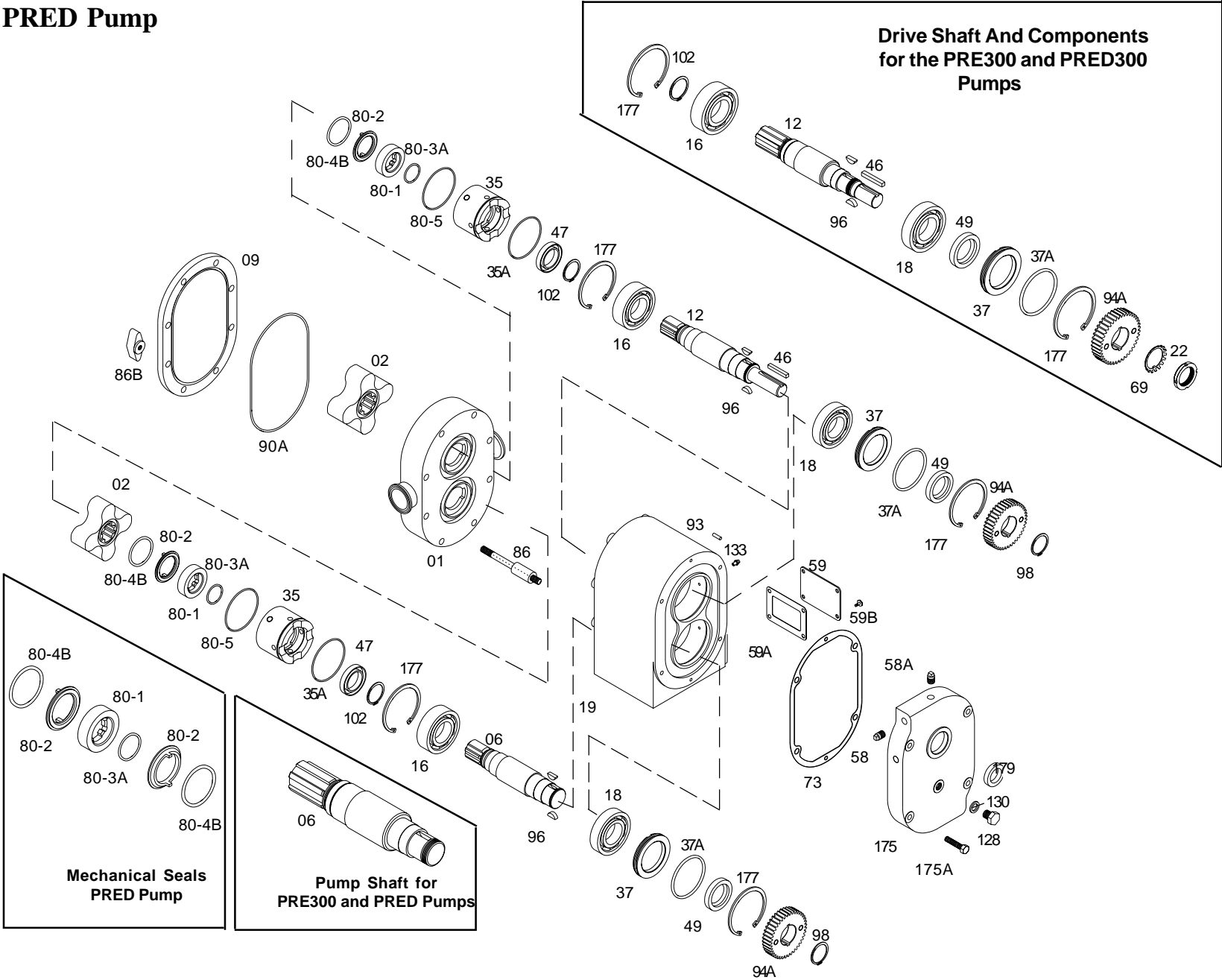
Parts List

PR Pump (cont.)

Key	Description	Model 3	Model 10	Model 25	Model 60	Model 125	Model 300
37A	Bearing Cover O-Ring	R3-1-37A-U	R10-1½-37A-U	R25-1½-37A-U	R60-2-37A	R60-2-37A	R300-4-37A-U
46	Coupling Key	R3-1-46	R10-1½-46	R25-1½-46	R60-2-46	R60-2-46	R300-4-46
47	Alignment Locating Ring Seal	R3-1-47	R10-1½-47	R25-1½-47	R60-2-47	R125-2½-47	R300-4-47
49	Bearing Cover Seal	R3-1-47	R10-1½-47	R10-1½-49	R60-2-47	R60-2-47	R300-4-49
58	Plug	MS-105-58	2EBH-105-58	2EBH-105-58	2EBH-105-58	2EBH-105-58	2EBH-105-58
58A	Vented Plug	MS-105-58A	2EBH-105-58A	2EBH-105-58A	2EBH-105-58A	2EBH-105-58A	2EBH-105-58A
59	Cleanout Hole Cover	R3-1-59-S	R25-1½-59-S	R25-1½-59-S	R60-2-59-S	R60-2-59-S	R60-2-59-S
59A	Cleanout Hole Gasket	R3-1-59A	R25-1½-59-A	R25-1½-59-A	R60-2-59A	R60-2-59A	R60-2-59A
59B	Cleanout Hole Screw	SC905H-SS	SC905H-SS	SC905H-SS	SC905H-SS	SC905H-SS	SC905H-SS
69	Lockwasher	Not available	Not available	Not available	Not available	Not available	R300-4-69
73	Gear Cover Gasket	R3-1-73	R10-1½-73	R25-1½-73	R60-2-73	R60-2-73	R300-4-73
80-1	Wear Ring	R3-1-80-1-S	R10-1½--80-1-S	R25-1½-80-1-S	R60-2-80-1-S	R60-2-80-1-S	R300-4-80-1-S
80-2	Seal Ring	R3-1-80-2	R10-1½--80-2A	R25-1½--80-2A	R60-2-80-2A	R60-2-80-2A	R300-4-80-2
80-3	Shaft O-Ring (Buna N)	R3-1-80-3A-U	R10-1½-80-3A-U	R25-1½-80-3A-U	R60-2-80-3A-U	R60-2-80-3A-U	R300-4-80-3A-U
80-4B	Casing O-Ring (Buna N)	R3-80-4A-U	R10-1½-80-4B-U	R25-1½-80-4B-U	R60-2-80-4B-U	R60-2-80-4B-U	R300-4-80-4B-U
86	Casing Stud	R3-1-86-S	R10-1½-86-S	R25-1½-86-S	R60-2-86-S	R125-2½-86S	R300-4-86-S
86B	Casing Nut	R3-1-86A-S	R25-1½-86B-S	R25-1½-86B-S	R60-2-86B-S	R60-2-86B-S	R300-4-86A-S
90A	Casing Cover O-Ring (Buna N)	R3-1-90B	R10-1½-90B	R25-1½-90B	R60-2-90B	R60-2-90B	R300-4-90B-U
93	Alignment Pin	R3-1-93	R25-1½-93	R25-1½-93	R60-2-93	R60-2-93	R60-2-93
94A	Timing Gear	R3-1-94A	R10-1½-94A	R25-1½-94A	R60-2-94A	R60-2-94A	R300-4-94A
96	Timing Gear Key	R3-1-96	R10-1½-96	R25-1½-96	R60-2-96	R60-2-96	R300-4-96
98	Gear Retainer Ring	R3-1-98	R10-1½-98	R25-1½-98	R60-2-98	R60-2-98	Not available
102	Bearing Retainer Ring	R3-1-102	R10-1½-102	R25-1½-102	R60-2-102	R125-2½-102	R300-4-102
128	Tachometer Plug with Gasket	R3-1-128	R10-1½-128	R3-1½-128	R3-1-128	R3-1-128	R3-1-128
133	Grease Fitting	R3-1½-133	R10-1½-133	R25-1½-133	R25-1½-133	R25-1½-133	R25-1½-133
175	Gear Cover	R3-1-175-C	R10-1½-175-C	R25-1½-175-C	R60-2-175-C	R60-2-175-C	R300-4-175-C
175A	Gear Cover Screw	SC912H-S	SC1113H-S	SC1316H-S	SC1519H-S	SC1519H-S	SC1520H-S
177	Shaft Retainer Ring	R3-1-177	R10-1½-177	R25-1½-177	R60-2-177	R60-2-177	R300-4-177
179	Gear Cover Seal	R3-1-179	R10-1½-179	R25-1½-179	R60-2-179	R60-2-179	R300-4-179

Parts List

PRE & PRED Pump



Parts List

PRE & PRED Pump

Key	Description	Model 3	Model 10	Model 25	Model 60	Model 125	Model 300
01	Casing, Threaded Ports 1" x 1"	R3-1-01-316	Not available	Not available	Not available	Not available	Not available
01	Casing, Tri-Clamp Ports 1" x 1"	R3M-1-01-316	Not available	Not available	Not available	Not available	Not available
01	Casing, Threaded Ports 1½" x 1½"	Not available	R10-1½-01B-316	R25-1½-01B-316	Not available	Not available	Not available
01	Casing, Tri-Clamp Ports 1½" x 1½"	Not available	R10M-1½-01B-316	R25M-1½-01B-316	Not available	Not available	Not available
01	Casing, Threaded Ports 2" x 2"	Not available	Not available	Not available	R60-2-01B-316	Not available	Not available
01	Casing, Tri-Clamp Ports 2" x 2"	Not available	Not available	Not available	R60M-2-01B-316	Not available	Not available
01	Casing, Threaded Ports 2½" x 2½"	Not available	Not available	Not available	Not available	R125-2½-01B-316	Not available
01	Casing, Tri-Clamp Ports 2½" x 2½"	Not available	Not available	Not available	Not available	R125M-2½-01B-316	Not available
01	Casing, Threaded Ports 3" x 3"	Not available	Not available	R25-3-01B-316	R60-3-01BF-316	R125-3-01B-316	Not available
01	Casing, Tri-Clamp Ports 3" x 3"	Not available	Not available	R25M-3-01B-316	R60M-301BF-316	R125M-3-01B-316	Not available
01	Casing, Threaded Ports 4" x 4"	Not available	Not available	Not available	Not available	Not available	R300-4-01B-316
01	Casing, Tri-Clamp Ports 4" x 4"	Not available	Not available	Not available	Not available	Not available	R300M-4-01B-316
01	Casing, Threaded Ports 6" x 6"	Not available	Not available	Not available	Not available	Not available	R300-6-B01B-316
01	Casing, Tri-Clamp Ports 6" x 6"	Not available	Not available	Not available	Not available	Not available	R300M-6-B01B-316
02	Impeller 6 lobe Rubber (Buna N - Cold)	See Ordering Impellers	Not available	Not available	Not available	Not available	Not available
02	Impeller 6 lobe Rubber (Buna N - Hot)	See Ordering Impellers	Not available	Not available	Not available	Not available	Not available
02	Impeller 2 or 4 lobe Rubber (Buna N)	Not available	See Ordering Impellers	See Ordering Impellers	See Ordering Impellers	See Ordering Impellers	See Ordering Impellers
02	Impeller 2 or 4 lobe Tri-Clover Metal	Not available	See Ordering Impellers	See Ordering Impellers	See Ordering Impellers	See Ordering Impellers	See Ordering Impellers
06	Pump Shaft	R3E-1-06-316	R10E-1½-06-316	R25E-1½-06-316	R60E-2-06-316	R125E-2½-06-316	R300E-4-06-316
08	Impeller Carbon	Not available	R10E-1½-08	R25E-1½-08	R60-2-08	R60-2-08	R300-4-08
09	Front Cover	R3-1-09-316	R10-1½-09-316	R25-1½-09-316	R60-2-09-316	R60-2-09-316	R300-4-09-316
12	Drive Shaft	R3E-1-12-316	R10E-1½-12-316	R25E-1½-12-316	R60E-2-12-316	R125E-2½-12-316	R300E-4-12-316
16	Bearing - Inboard	R3-1-16	R10-1½-16	R25-1½-16	R60-2-18	R125-2½-16	R300-4-16
18	Bearing - Outboard	R3-1-16	R10-1½-16	R25-1½-16	R60-2-18	R60-2-18	R300-4-18
19	Frame	R3-1-19-C	R10-1½-19-C	R25-1½-19-C	R60-2-19-C	R60-2-19-C	R300-4-19-C
22	Locknut	Not available	Not available	Not available	Not available	Not available	R300-4-22
35	Alignment, Locating Ring	R3E-1-A35-316L	R10E-1½-A35-316L	R25E-1½-A35-316L	R60E-2-A35-316L	R125E-2½-A35-316L	R300E-4-A35-316L
35A	Alignment Locating Ring O-Ring	R3-1-37A-U	R10-1½-35A-U	R25-1½-35A-U	R60-2-37A	R60-2-37A	R300-4-37A-U
37	Bearing Cover Outboard	R3-1-37-CS	R10-1½-37-CS	R25-1½-37-CS	R60-2-37-CS	R60-2-37-CS	R300-4-37-CS

Parts List

PRE & PRED Pump (cont.)

Key	Description	Model 3	Model 10	Model 25	Model 60	Model 125	Model 300
37A	Bearing Cover O-Ring	R3-1-37A-U	R10-1½-37A-U	R25-1½-37A-U	R60-2-37A	R60-2-37A	R300-4-37A-U
46	Coupling Key	R3-1-46	R10-1½-46	R25-1½-46	R60-2-46	R60-2-46	R300-4-46
47	Alignment Locating Ring Seal	R3-1-47	R10-1½-47	R25-1½-47	R60-2-47	R125-2½-47	R300-4-47
49	Bearing Cover Seal	R3-1-47	R10-1½-47	R10-1½-49	R60-2-47	R60-2-47	R300-4-49
58	Plug	MS-105-58	2EBH-105-58	2EBH-105-58	2EBH-105-58	2EBH-105-58	2EBH-105-58
58A	Vented Plug	MS-105-58A	2EBH-105-58A	2EBH-105-58A	2EBH-105-58A	2EBH-105-58A	2EBH-105-58A
59	Cleanout Hole Cover	R3-1-59-S	R25-1½-59-S	R25-1½-59-S	R60-2-59-S	R60-2-59-S	R60-2-59-S
59A	Cleanout Hole Gasket	R3-1-59A	R25-1½-59-A	R25-1½-59-A	R60-2-59A	R60-2-59A	R60-2-59A
59B	Cleanout Hole Screw	SC905H-SS	SC905H-SS	SC905H-SS	SC905H-SS	SC905H-SS	SC905H-SS
69	Lockwasher	Not available	Not available	Not available	Not available	Not available	R300-4-69
73	Gear Cover Gasket	R3-1-73	R10-1½-73	R25-1½-73	R60-2-73	R60-2-73	R300-4-73
80-1	Wear Ring	R3E-1-80-1-S	R10E-1½--80-1-S	R25E-1½-80-1-S	R60E-2-80-1-S	R60E-2-80-1-S	R300E-4-80-1-S
80-2	Seal Ring	R3E-1-80-2	R10E-1½--80-2A	R25E-1½--80-2A	R60E-2-80-2A	R60E-2-80-2A	R300E-4-80-2
80-3	Shaft O-Ring (Buna N)	R3-1-80-3A-U	R10-1½-80-3A-U	R25-1½-80-3A-U	R60-2-80-3A-U	R60-2-80-3A-U	R300-4-80-3A-U
80-4B	Casing O-Ring (Buna N)	R3-80-4A-U	R10-1½-80-4B-U	R25-1½-80-4B-U	R60-2-80-4B-U	R60-2-80-4B-U	R300-4-80-4B-U
80-5	O-Ring (Buna)	17-125-U	17-25-U	17-7-U	R60-2-37A	R60-2-37A	R300-4-37A-U
86	Casing Stud	R3E-1-86	R10E-1½-86-S	R25E-1½-86-S	R60E-2-86-S	R125E-2½-86-S	R300E-4-86-S
86B	Casing Nut	R3-1-86A-S	R25-1½-86B-S	R25-1½-86B-S	R60-2-86B-S	R60-2-86B-S	R300-4-86A-S
90A	Casing Cover O-Ring (Buna N)	R3-1-90B	R10-1½-90B	R25-1½-90B	R60-2-90B	R60-2-90B	R300-4-90B-U
93	Alignment Pin	R3-1-93	R25-1½-93	R25-1½-93	R60-2-93	R60-2-93	R60-2-93
94A	Timing Gear	R3-1-94A	R10-1½-94A	R25-1½-94A	R60-2-94A	R60-2-94A	R300-4-94A
96	Timing Gear Key	R3-1-96	R10-1½-96	R25-1½-96	R60-2-96	R60-2-96	R300-4-96
98	Gear Retainer Ring	R3-1-98	R10-1½-98	R25-1½-98	R60-2-98	R60-2-98	Not available
102	Bearing Retainer Ring	R3-1-102	R10-1½-102	R25-1½-102	R60-2-102	R125-2½-102	R300-4-102
128	Tachometer Plug with Gasket	R3-1-128	R10-1½-128	R3-1½-128	R3-1-128	R3-1-128	R3-1-128
133	Grease Fitting	R3-1½-133	R10-1½-133	R25-1½-133	R25-1½-133	R25-1½-133	R25-1½-133
175	Gear Cover	R3-1-175-C	R10-1½-175-C	R25-1½-175-C	R60-2-175-C	R60-2-175-C	R300-4-175-C
175A	Gear Cover Screw	SC912H-S	SC1113H-S	SC1316H-S	SC1519H-S	SC1519H-S	SC1520H-S
177	Shaft Retainer Ring	R3-1-177	R10-1½-177	R25-1½-177	R60-2-177	R60-2-177	R300-4-177
179	Gear Cover Seal	R3-1-179	R10-1½-179	R25-1½-179	R60-2-179	R60-2-179	R300-4-179