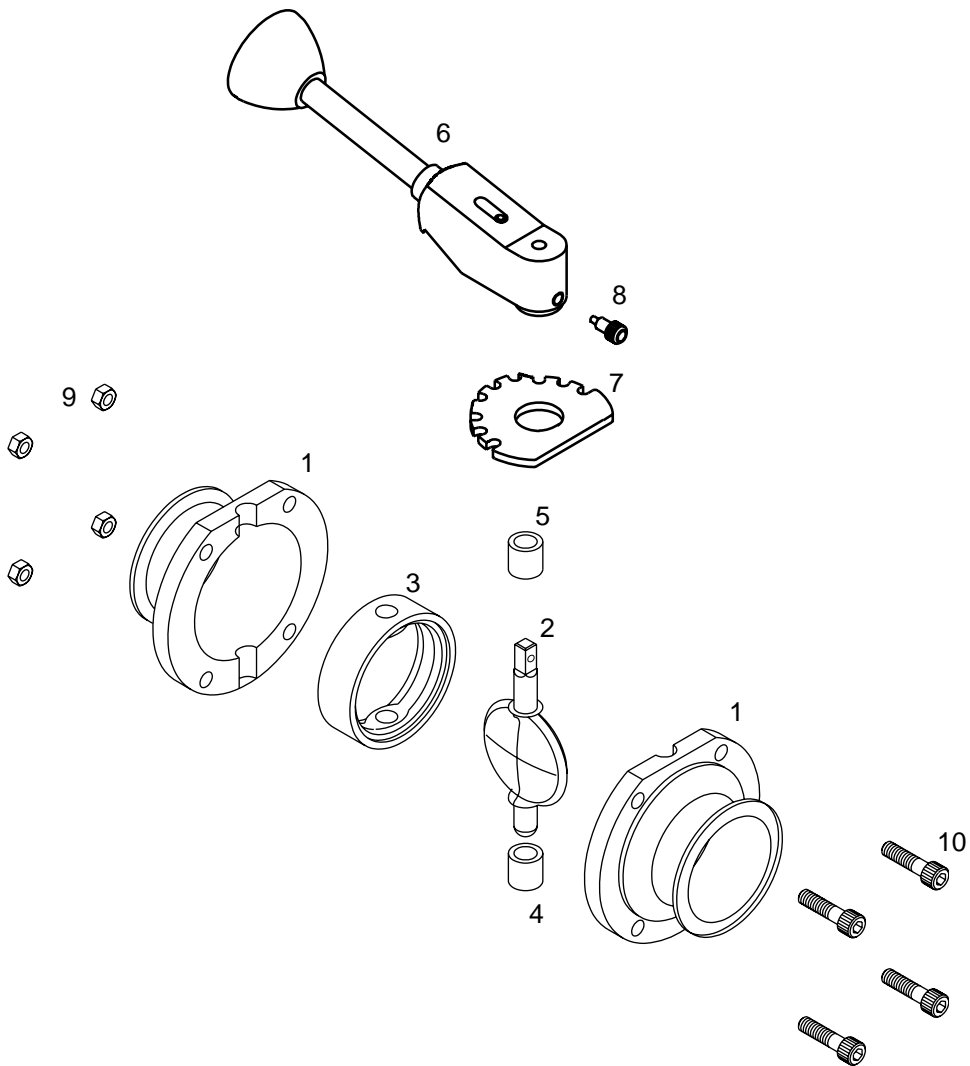


# PARTS LIST

## SERIES B51A - MANUAL

All orders for repair parts must contain the following data.

1. Complete model number of valve.
2. Complete description and part number of components.



# Parts List

## Series B51A, B52A and B53A Butterfly Valves

Key #	Description	No. Req'd.	1	1½	2	2½	3	4
1	Body Half* (304 or 316 SS)	2	B51a-1-01-Matl.	B51A-1½-01-Matl.	B51A-2-01-Matl.	B51A-2½-01-Matl.	B51A-3-01-Matl.	B51A-4-01-Matl.
2	Disc Assembly	1	B53-1-05-316	B53-1½-05-316	B53-2-05-316	B53-2½-05-316	B53-3-05-316	B53-4A-05-316
3	Seat**	1	B51-1-42-Matl.	B51-1½-42-Matl.	B51-2-42-Matl.	B51-2½-42-Matl.	B51-3-42-Matl.	B51-4-42-Matl.
4	Lower Bushing PVDF - KYNAR	1	B51-1-06	B51-1½-06	B51-1-06	B51-2½-06	B51-3-06	B51-4-06
5	Upper Bushing PVDF - KYNAR	1	B51-1-07	B51-1½-06	B51-1-06	B51-2½-06	B51-3-06	B51-4-07
9	Nut	4	B51-1-03-SS	B51-1-03-SS	NU1300H-SS	NU1300H-SS	NU1300H-SS	NU1500H-SS
10	Screw	4	B51-1-15-SS	B51-1-15-SS	SC1312E-SS	SC1312E-SS	SC1316E-SS	SC1516E-SS

\*\* Specify material: E - (EPDM) X - (Silicone) SFY - (Fluoroelastomer)

## Series B51 A- Manual

Key #	Description	No. Req'd.	1"	1½"	2"	2½"	3"	4"
6	Handle Assembly (complete, less stop plate)	1	B51-1-48-S	B51-1-48-S	B51-1-48-S	B51-1-48-S	B51-3-48-S	B51-4-48-S
7	Stop Plate	1	XPDB51-1-08-5	XPDB51-1-08-5	XPDB51-1-08-5	XPDB51-1-08-5	XPDB51-3-08-5	XPDB51-3-08-5
8	Handle Retianing Screw*	1	B51-1-11-SS	B51-1-11-SS	B51-1-11-SS	B51-1-11-SS	B51-3-11-SS	B51-3-11-SS

\*Furnished also as part of Complete Handle Assembly (Key #6).

# PARTS LIST

## SERIES B52A - ELECTRIC

All orders for replacement parts must contain the following data:

1. Complete model number.
2. Complete description and part number.

### ELECTRICACTUATOR

To order replacement parts for the Tri-Clover Butterfly with Electric Actuator, include all information asked for below. There are no model or serial numbers on the actuator, therefore obtain the correct actuator part number from the tables below.

#### B52A - EM20012 - 2 - E - S

1                      2                      3                      4                      5

**1 Valve Series:**

**2 Actuator:** (see tables below)

**3 Valve Size:** (tube OD) 1, 1½, 2, 2½, 3, 4" sizes

**4 Seat Material:**

E - EPDM

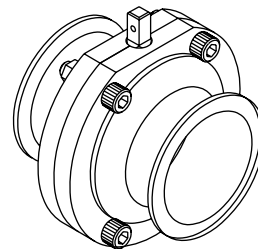
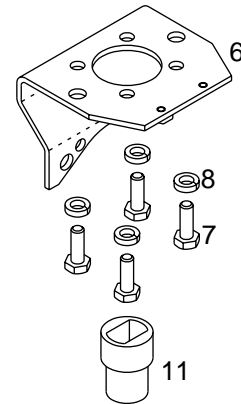
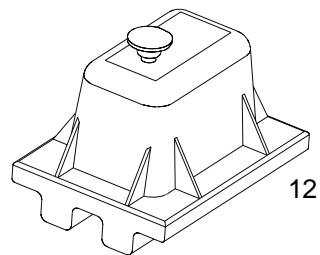
X - Silicone

FY - SFY (Fluoroelastomer)

**5 Body Material:**

S - 304 SS

316- 316 SS



### ELECTRIC ACTUATOR

Valve Size	Actuator Voltage	NEMA 4 Water Tight
1", 1½" or 2"	120	52-EM30012
2½"	120	52-EM31212
3" or 4"	120	52-EM52012
1", 1½" or 2"	220	52-EM30022
2½"	220	52-EM31222
3" or 4"	220	52-EM52022

# Parts List

## Series B52A - Electric Actuator

Key#	Description	No. Req'd.	1"	1½"	2"	2½"	3"	4"
6	Mounting Bracket	1	B52-1-09-S	B52-1-09-S	B52-1-09-S	B52-1-09-S	B52-3-09A-S**	B52-3-09A-S**
7	Bracket Screw	4	SC907H-SS	SC907H-SS	SC907H-SS	SC907H-SS	SC1306H-SS	SC1306H-SS
8	Bracket Lockwasher	4	LWA900-SS	LWA900-SS	LWA900-SS	LWA900-SS	LWA1300-SS	LWA1300-SS
11	Actuator Coupler*	1	B52-1-20-S	B52-1-20-S	B52-1-20-S	B52-1-20-S	B52-3-20-S	B52-4-20-S
12	Actuator	1						

**Refer to Actuator Table Shown on Page 10**

\* Coupler is not furnished as part of Electric Actuator and must be ordered separately.

\*\* Two required.



# Parts List

## Air To Air

KEY #	DESCRIPTION	1" - 2-1/2"	3"	4"	QTY
		6400	6500	6900	
1	Cylinder	B53-6000-1	B53-6000-1	B53-6000-1	1
2	Drive Assembly	BA53-6000-2	BA53-6000-2	BA53-6000-2	1
3	Piston	BA53-6000-3	BA53-6000-3	BA53-6000-3	1
4	O-ring	B53-6000-4	B53-6000-4	B53-6000-4	1
5	End Cap	B53-6000-5	B53-6000-5	B53-6000-5	1
6	Retaining Ring	B53-6000-6	B53-6000-6	B53-6000-6	1
7	O-ring	B53-6000-7	B53-6000-7	B53-6000-7	1
8	Inner Spring	Not required	Not required	Not required	
9	Outer Spring	Not required	Not required	Not required	
10	Needle Bearing	B53-6000-10	B53-6000-10	B53-6000-10	2
11	Needle Bearing	B53-6000-11	B53-6000-11	B53-6000-11	2
12	Thrust Bearing	B53-6000-12	B53-6000-12	B53-6000-12	1
13	Air Fitting	42-15-78	42-15-78	42-15-78	2
14	O-ring	B53-6000-14	B53-6000-14	B53-6000-14	1
15	Split Pin	B53-6000-15	B53-6000-15	B53-6000-15	1
16	Coupler	B53-6000-17-1	B53-6000-17A-3	B53-6000-17-4A	1
17	Position Indicator*	B53-6000-18	B53-6000-18	B53-6000-18	1
18	Mounting Bracket	B53-1-09-S	B53-3-09-S	B53-3-09-S	1
19	Bracket Screw	B53-1-10-SS	B53-1-10-SS	B53-1-10-SS	2

## With A Control Top (Additional or replacement parts required)

KEY #	DESCRIPTION	6400T	6500T	6900T	QTY
3A	Piston	BA53-6000-28	BA53-6000-28	BA53-6000-28	1
5A	Mounting Adapter	B53-6000-19-S	B53-6000-19-S	B53-6000-19-S	1
22	Nut	NU1300E02-SS	NU1300E02-SS	NU1300E02-SS	1
23	Lockwasher	LWA1300-SS	LWA1300-SS	LWA1300-SS	1
24	Gasket	17-352	17-352	17-352	1
25	Rising Stem	B53-6000-26-S	B53-6000-26-S	B53-6000-26-S	1
26	Vee Packing	17-98	17-98	17-98	1
27	Seal Retainer	25-428-05	25-428-05	25-428-05	1
28	Control Top	74-100-X-Y-Z	74-100-X-Y-Z	74-100-X-Y-Z	1
29	Stem Guide	36-89	36-89	36-89	1
30	Retaining Ring	16-167-S	16-167-S	16-167-S	2
31	Retaining Ring	B53-6000-24	B53-6000-24	B53-6000-24	1

\* This item is not shown

# PARTS LIST

## SERIES B53A - PNEUMATIC AIR TO SPRING

All orders for replacement parts must contain the following data:

1. Complete model number.
2. Complete description and part number.

### PNEUMATIC ACTUATOR

To order replacement parts for the Tri-Clover Butterfly Valve with Pneumatic Actuator, include all information asked for below. There are no model or serial numbers on the actuator, therefore obtain the correct actuator part number from the tables below.

**B53 - 6200 - 2 - E - 316**  
**1      2      3      4      5**

**1 Valve Series:**

**2 Actuator:** (see tables below)

**3 Valve Size:** (tube OD) 1, 1½, 2, 2½, 3, 4"

**4 Seat Material:**

- E - EPDM
- X - Silicone
- FY - SFY

**5 Body Material:**

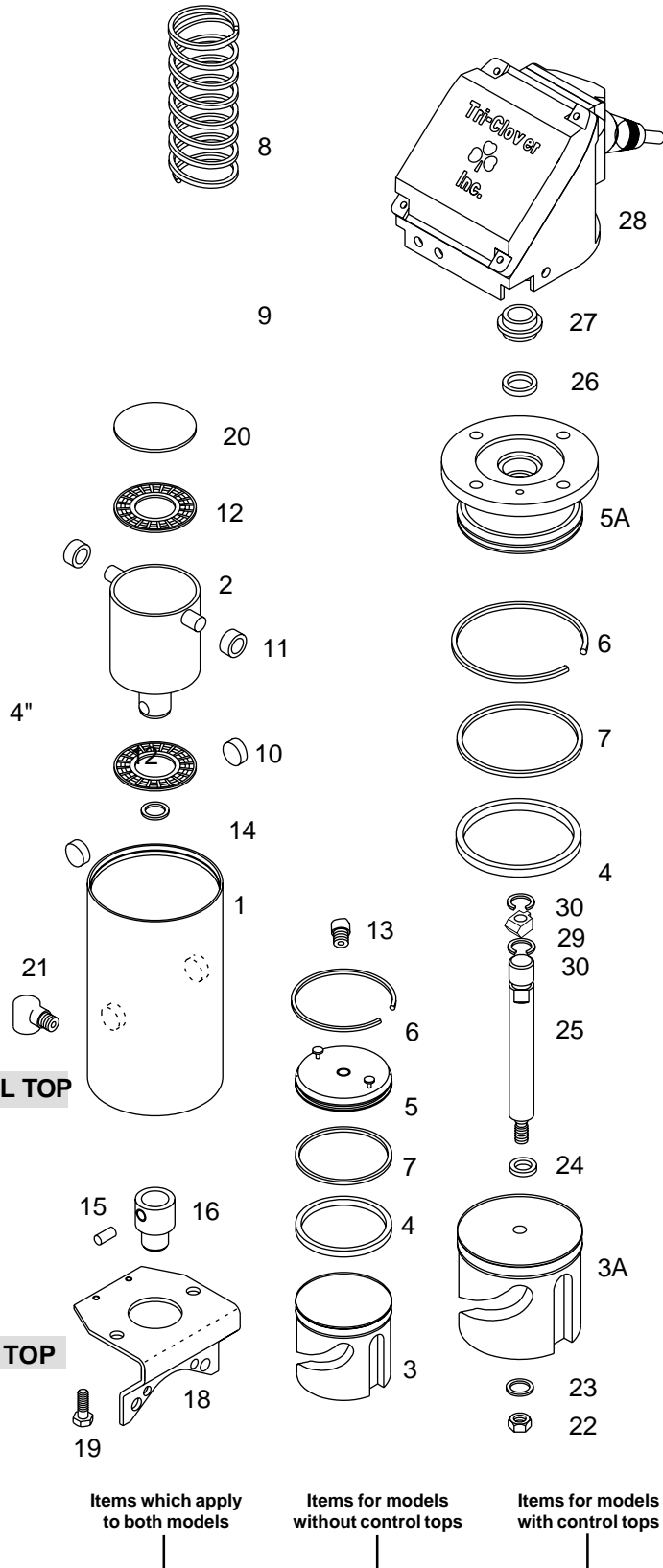
- S - 304 SS
- 316- 316 SS

#### PNEUMATIC ACTUATOR WITHOUT CONTROL TOP

Valve Size	Air to Spring Actuators	
	N.O.	N.C.
1" to 2½"	B53-6200	B53-6000
3"	B53-6300	B53-6100
4"	B53-6800	B53-6700

#### PNEUMATIC ACTUATOR WITH CONTROL TOP

Valve Size	Air to Spring Actuators	
	N.O.	N.C.
1" to 2½"	B53-6200T	B53-6000T
3"	B53-6300T	B53-6100T
4"	B53-6800T	B53-6700T



Items which apply to both models	Items for models without control tops	Items for models with control tops
1, 2, 3, 4, 5, 6, 7, 10, 11, 12, 14, 15, 16, 20, 21, 22, 23, 24, 25, 26, 27, 28, 29, 30	3, 4, 5, 6, 7, 10, 11, 12, 14, 15, 16, 20, 21, 22, 23, 24, 25, 26, 27, 28, 29, 30	3A

# Parts List

Air To Spring		NORMALLY CLOSED					NORMALLY OPEN	
KEY #	DESCRIPTION	6000	6100	6700	6200	6300	6800	QTY
1	Cylinder	B53-6000-1	B53-6000-1	B53-6000-1	B53-6000-1	B53-6000-1	B53-6000-1	1
2	Drive Assembly	B53-6000-2	B53-6000-2	B53-6000-2	B53-6000-2	B53-6000-2	B53-6000-2	1
3	Piston	B53-6000-3A	B53-6000-3A	B53-6000-3A	B53-6000-3	B53-6000-3	B53-6000-3	1
4	O-ring	B53-6000-4	B53-6000-4	B53-6000-4	B53-6000-4	B53-6000-4	B53-6000-4	1
5	End Cap	B53-6000-5	B53-6000-5	B53-6000-5	B53-6000-5	B53-6000-5	B53-6000-5	1
6	Retaining Ring	B53-6000-6	B53-6000-6	B53-6000-6	B53-6000-6	B53-6000-6	B53-6000-6	1
7	O-ring	B53-6000-7	B53-6000-7	B53-6000-7	B53-6000-7	B53-6000-7	B53-6000-7	1
8	Inner Spring	B53-6000-8	B53-6000-8	B53-6000-8	B53-6000-8	B53-6000-8	B53-6000-8	1
9	Outer Spring	B53-6000-9	B53-6000-9	B53-6000-9	B53-6000-9	B53-6000-9	B53-6000-9	1
10	Needle Bearing	B53-6000-10	B53-6000-10	B53-6000-10	B53-6000-10	B53-6000-10	B53-6000-10	2
11	Needle Bearing	B53-6000-11	B53-6000-11	B53-6000-11	B53-6000-11	B53-6000-11	B53-6000-11	2
12	Thrust Bearing	B53-6000-12	B53-6000-12	B53-6000-12	B53-6000-12	B53-6000-12	B53-6000-12	2
13	Air Fitting	42-15-78	42-15-78	42-15-78	42-15-78	42-15-78	42-15-78	1
14	O-ring	B53-6000-14	B53-6000-14	B53-6000-14	B53-6000-14	B53-6000-14	B53-6000-14	1
15	Split Pin	B53-6000-15	B53-6000-15	B53-6000-15	B53-6000-15	B53-6000-15	B53-6000-15	1
16	Coupler	B53-6000-17-1	B53-6000-17-3	B53-6000-17-4A	B53-6000-17-1	B53-6000-17-3	B53-6000-17-4A	1
17	Position Indicator*	B53-6000-18	B53-6000-18	B53-6000-18	B53-6000-18	B53-6000-18	B53-6000-18	1
18	Mounting Bracket	B53-1-09-S	B53-3-09-S	B53-3-09-S	B53-1-09-S	B53-3-09-S	B53-3-09-S	1
19	Bracket Screw	B53-1-10-SS	B53-1-10-SS	B53-1-10-SS	B53-1-10-SS	B53-1-10-SS	B53-1-10-SS	2
20	Thrust Drive	B53-6000-27	B53-6000-27	B53-6000-27	B53-6000-27	B53-6000-27	B53-6000-27	1
21	Water Rejector	B53-6000-23	B53-6000-23	B53-6000-23	B53-6000-23	B53-6000-23	B53-6000-23	1

## With A Control Top (Additional or replacement parts required)

KEY #	DESCRIPTION	6000T	6100T	6700T	6200T	6300T	6800T	QTY
3A	Piston	B53-6000-21	B53-6000-21	B53-6000-21	B53-6000-22	B53-6000-22	B53-6000-22	1
5A	Mounting Adapter	B53-6000-19-S	B53-6000-19-S	B53-6000-19-S	B53-6000-19-S	B53-6000-19-S	B53-6000-19-S	1
22	Nut	NU1300E02-SS	NU1300E02-SS	NU1300E02-SS	NU1300E02-SS	NU1300E02-SS	NU1300E02-SS	1
23	Lockwasher	LWA1300-SS	LWA1300-SS	LWA1300-SS	LWA1300-SS	LWA1300-SS	LWA1300-SS	1
24	Gasket	17-352	17-352	17-352	17-352	17-352	17-352	1
25	Rising Stem	B53-6000-26-S	B53-6000-26-S	B53-6000-26-S	B53-6000-26-S	B53-6000-26-S	B53-6000-26-S	1
26	Vee Packing	17-98	17-98	17-98	17-98	17-98	17-98	1
27	Seal Retainer	25-428-05	25-428-05	25-428-05	25-428-05	25-428-05	25-428-05	1
28	Control Top	74-100-X-Y-Z	74-100-X-Y-Z	74-100-X-Y-Z	74-100-X-Y-Z	74-100-X-Y-Z	74-100-X-Y-Z	1
29	Stem Guide	36-89	36-89	36-89	36-89	36-89	36-89	1
30	Retaining Ring	16-167-S	16-167-S	16-167-S	16-167-S	16-167-S	16-167-S	1

\* This item is not shown